

364 Wilmington West Chester Pike
 GLEN MILLS, PA 19342

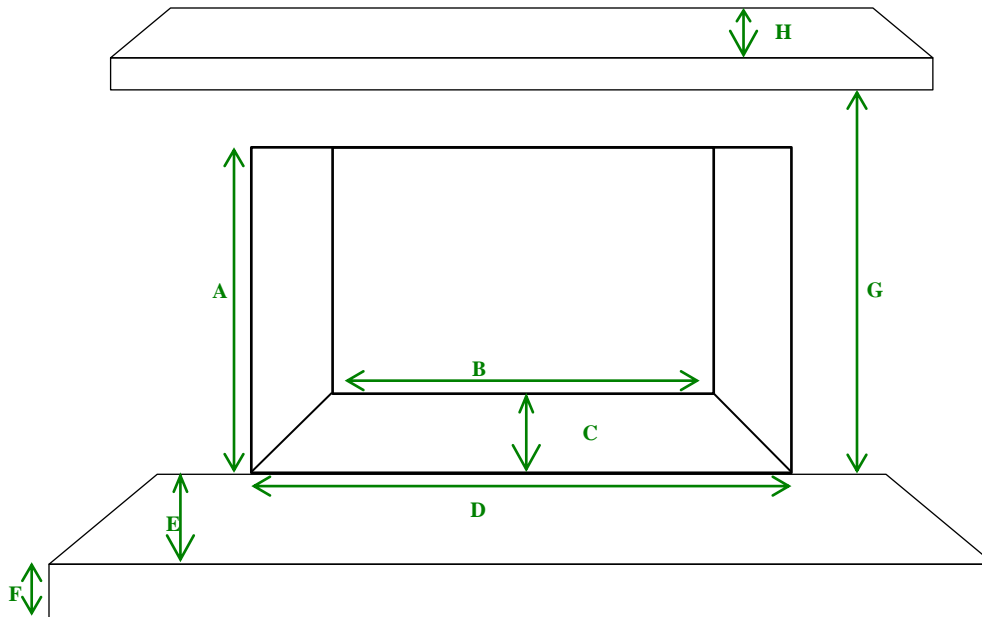


CHADDSFORDFIRESIDESHOP.COM
 T 610-358-9355 & F 610-358-9356

MEASURING FOR A HEARTH APPLIANCE

*D*etermining which size appliance (insert, stove, doors, logs, etc.) will work best with your fireplace is fairly simple, but it is not an exact science. This is mainly due to differences in fireplace shape and construction, but there are numerous other variables to take into consideration.

*P*lease take some *general* measurements of the inside of your fireplace (as described and shown in the diagram below), and bring them into our shop. This will enable us to guide you to the most appropriate unit(s) for your situation, and give you an informed estimate of cost preliminary to visiting your home to determine exact dimensions, details and project costs.



- | | |
|--|--|
| <p>A – Front Opening Height (Inches) = _____</p> <p>B – Rear Wall Width (Inches) = _____</p> <p>C – Firebox Depth (Inches) = _____</p> <p>D – Front Opening Width (Inches) = _____</p> <p>E – Hearth Depth (Inches) = _____</p> | <p>F – Hearth Height, if Raised (Inches) = _____</p> <p>G – Height to Bottom of Wood Mantel,
from Top of Hearth (Inches) = _____</p> <p>H – Depth of Mantel Shelf = _____</p> |
|--|--|